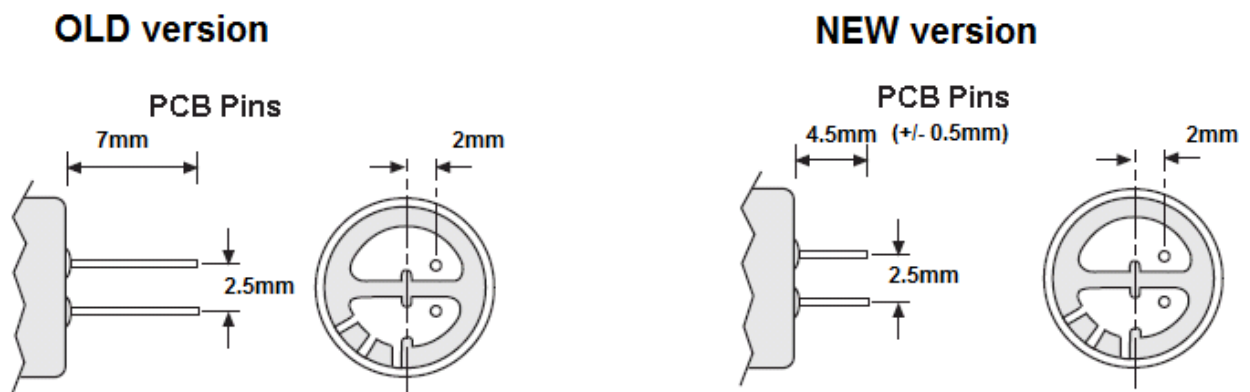


11th September 2015

Dear Customer,

Anglia's supplier Magnetone have advised that part number OEM602 will now be supplied with a pin length of 4.5mm (+/- 0.5mm)



Anglia operates a strict FIFO system in our Distribution Centre therefore it may take some time for this change to filter through to customer deliveries of the above part number.

Please make the relevant person(s) in your organisation aware of this change.

Yours Sincerely
Anglia